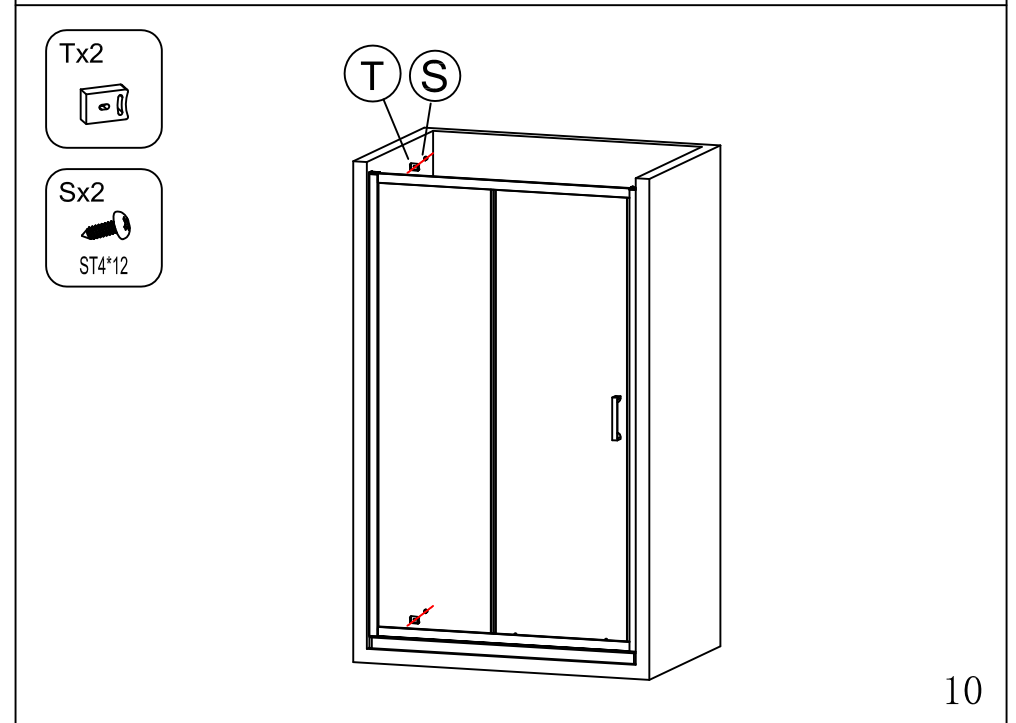
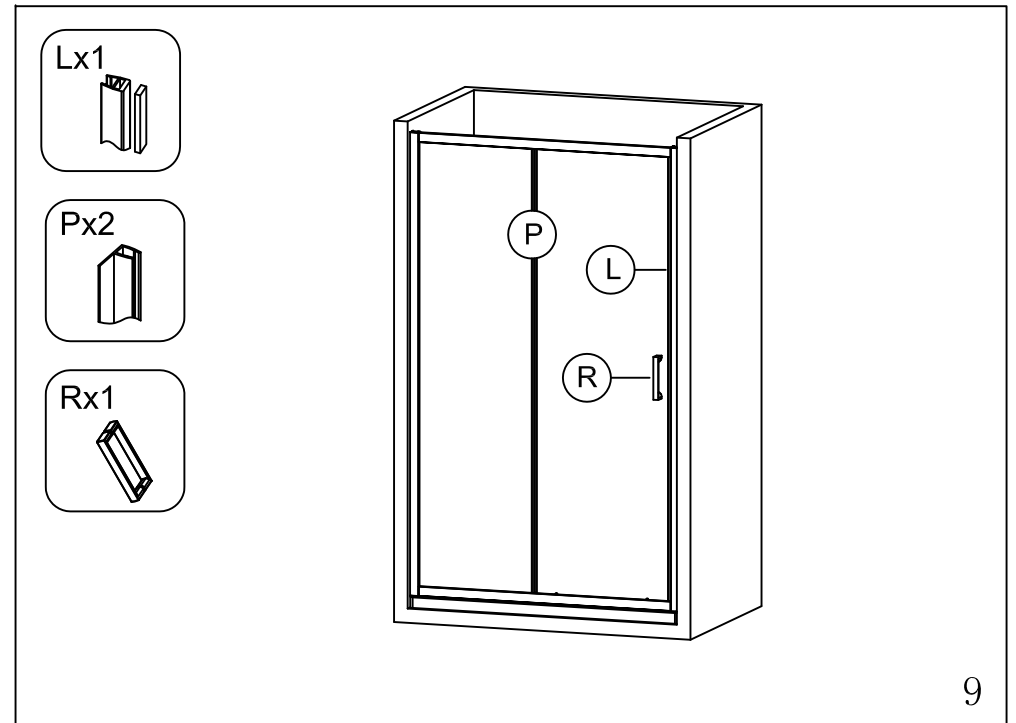
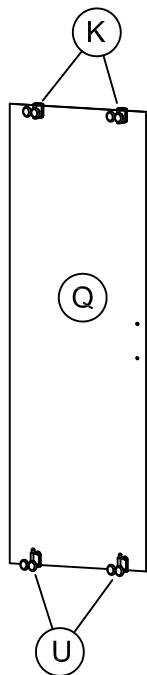
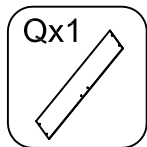
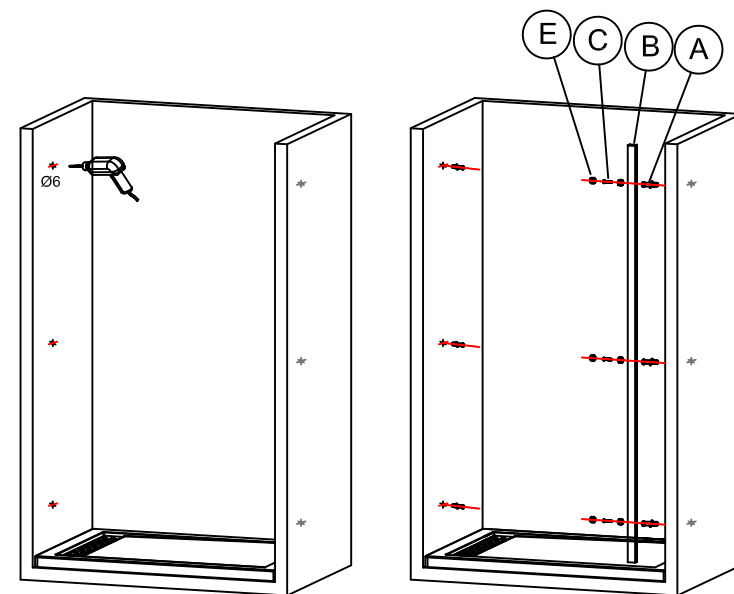
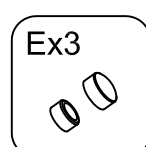
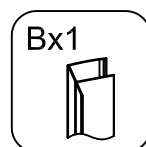


A Ø6*30 X6	B X2	C ST4*30 X6	D X1	E X12	F ST4*12 X6	G ST4*16 X8	H X2
I X2	J ST4*12 X2	K X2	L X1	M X1	N X1	O X1	P X2
Q X1	R X1	S ST4*12 X2	T X2	U X2			

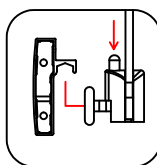
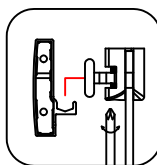
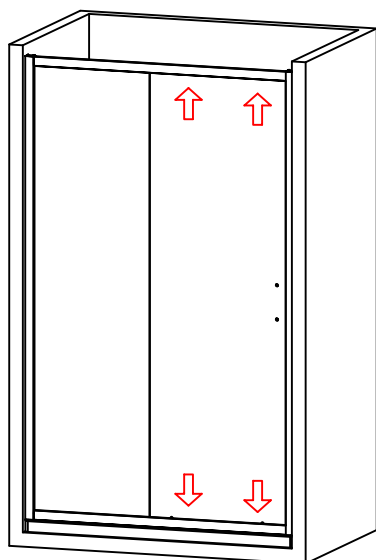




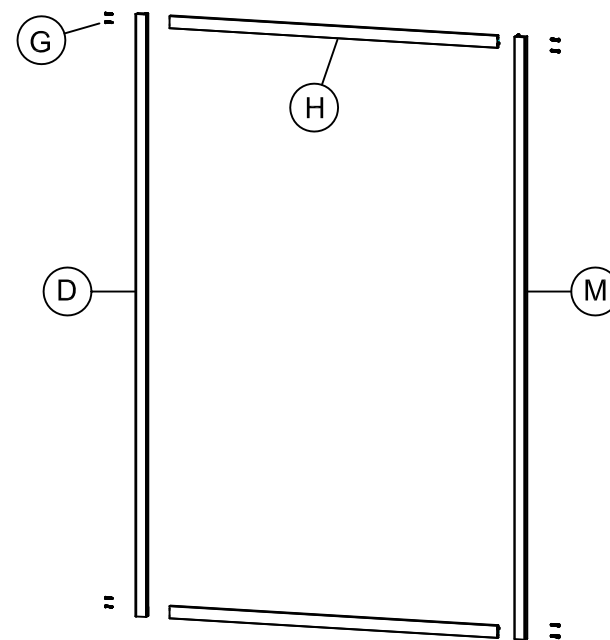
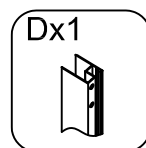
7



1



8



2

