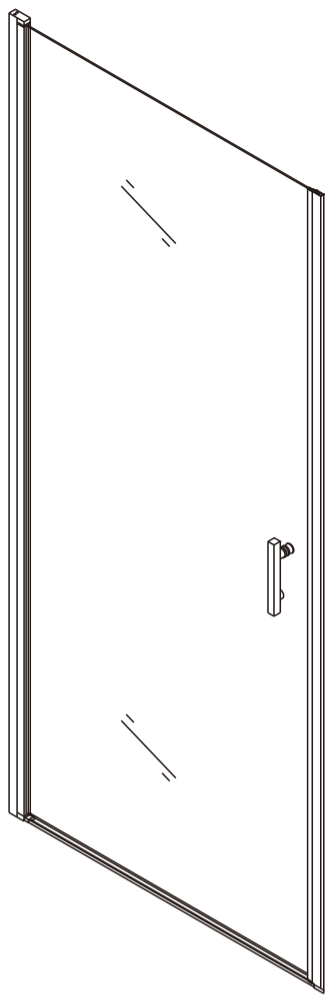
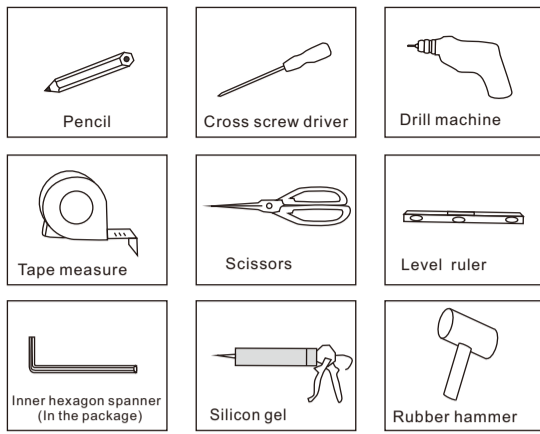


INSTALLATION MANUAL

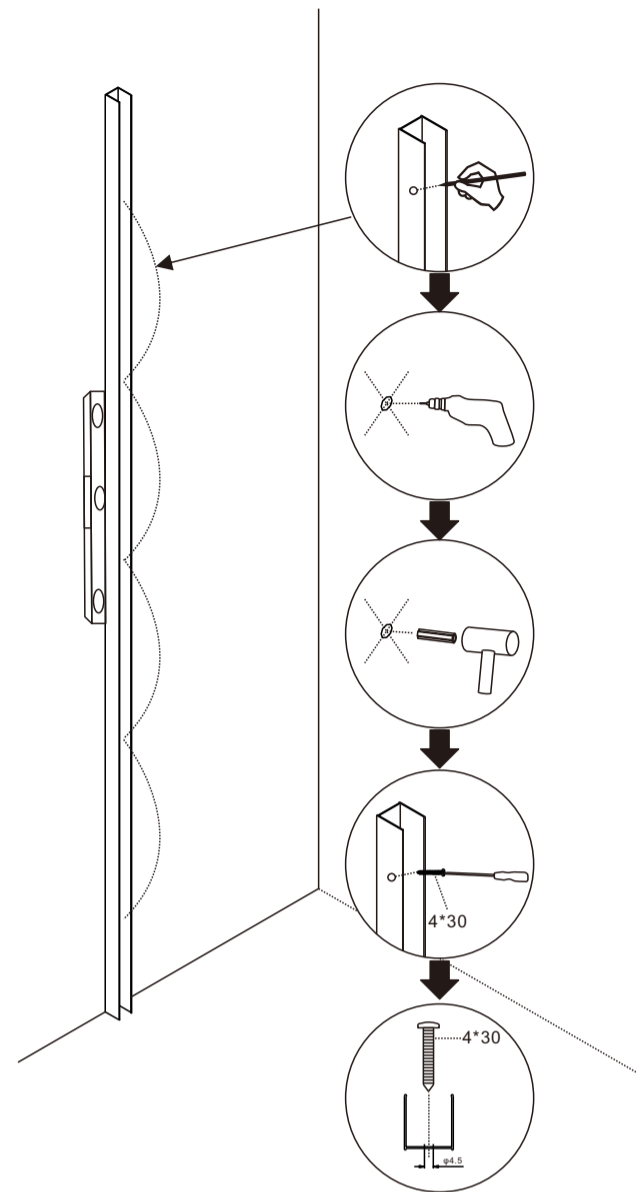
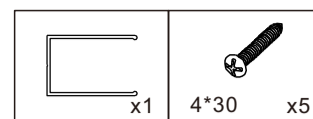
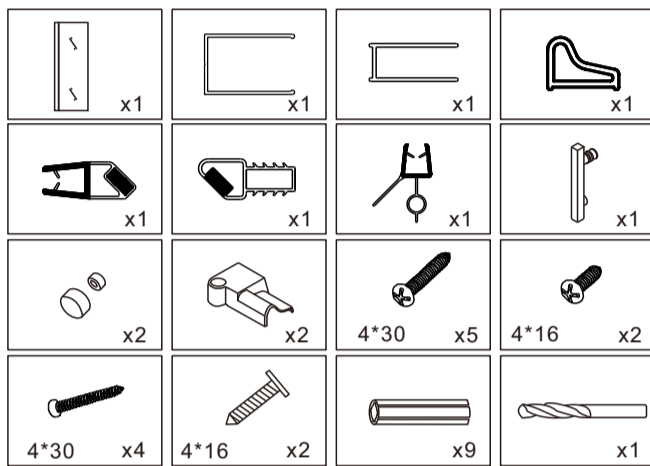


ATL-210

TOOL PICTURE



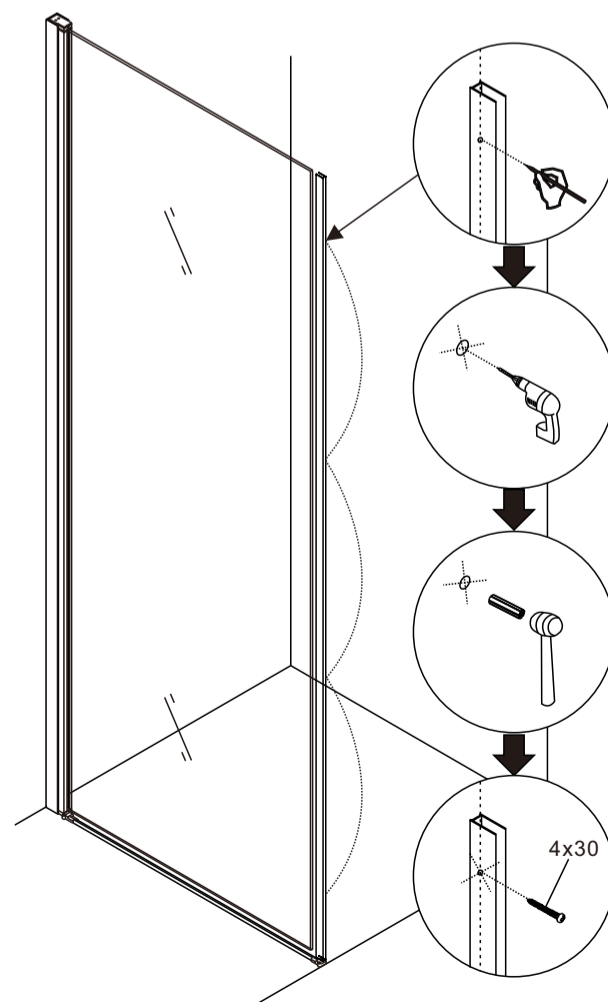
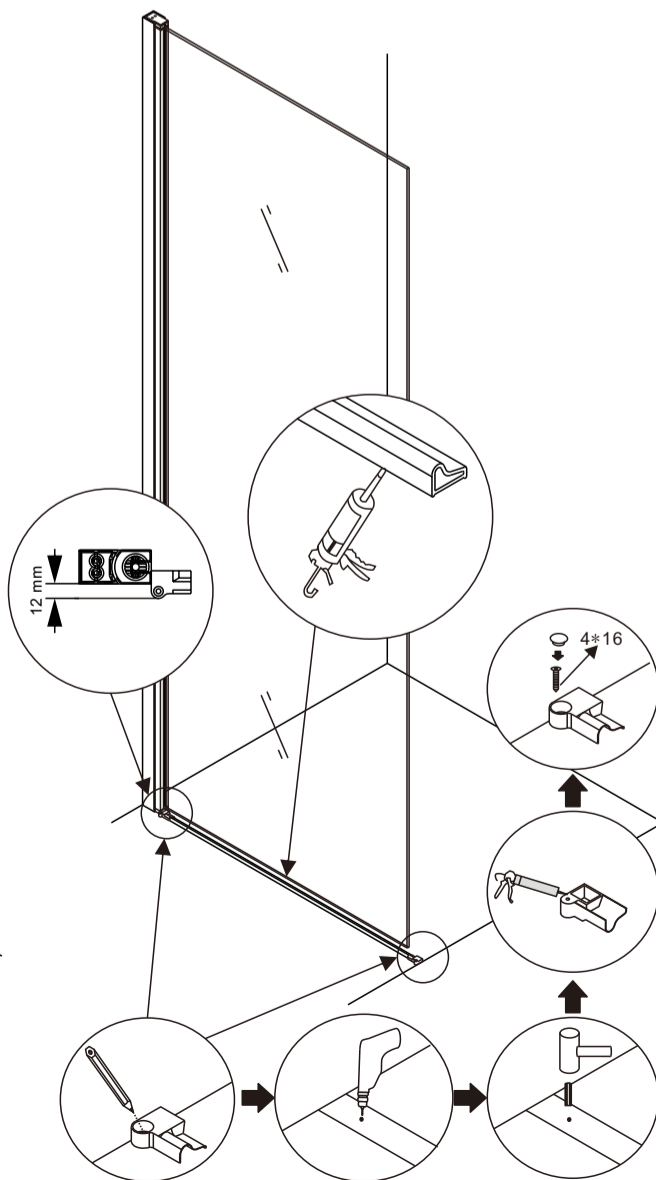
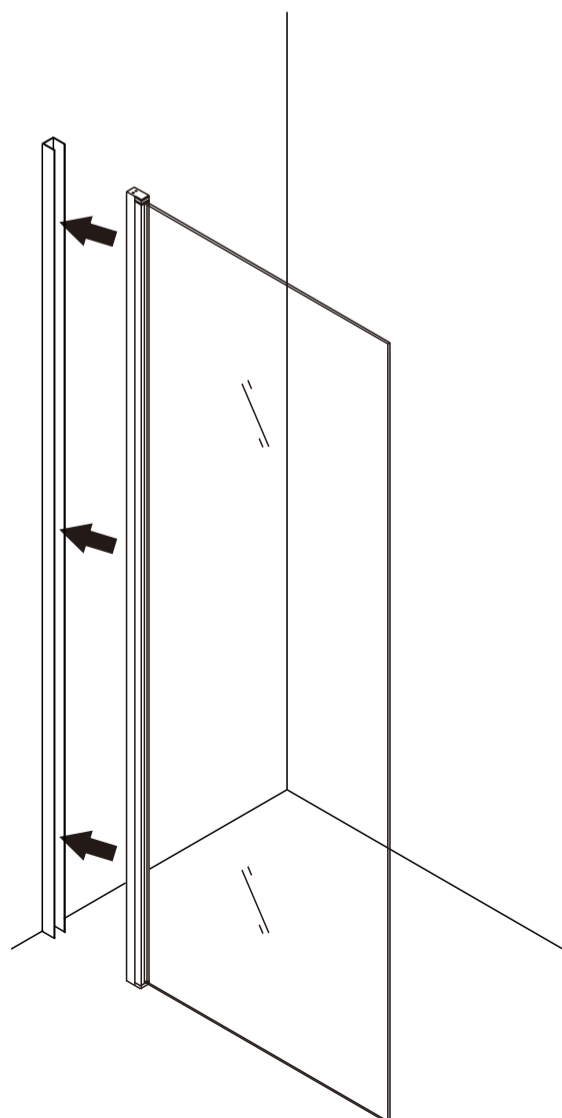
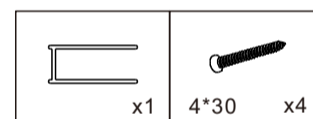
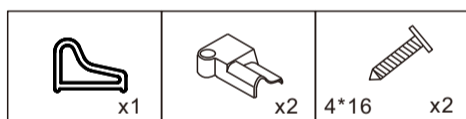
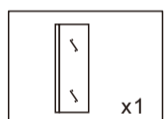
Accessory list



1

2

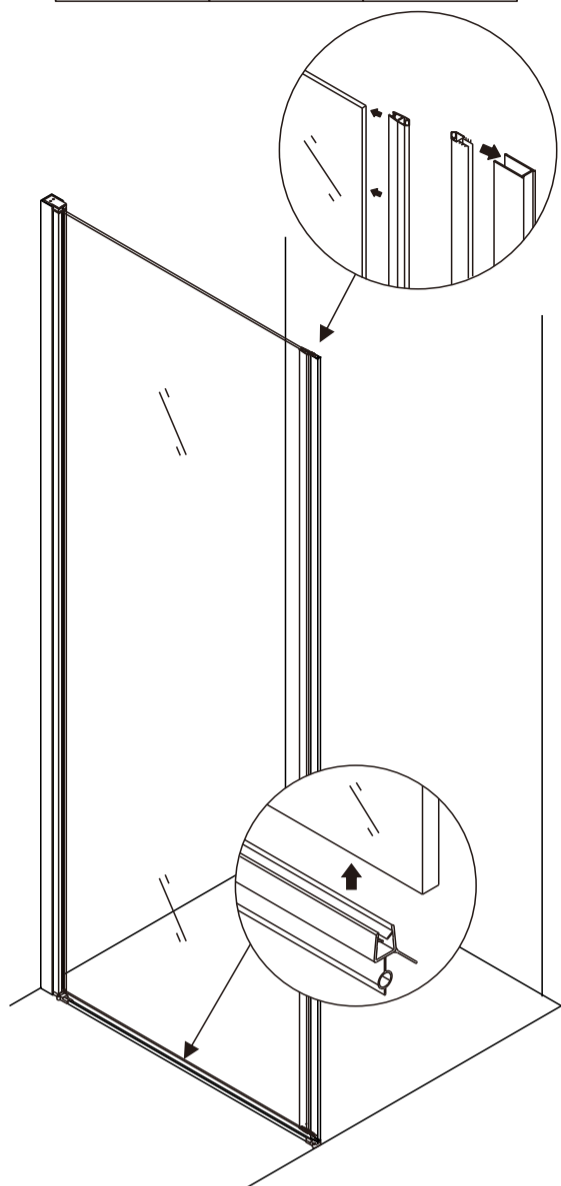
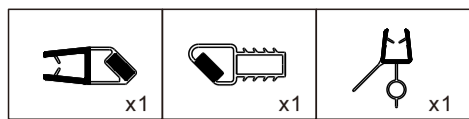
3



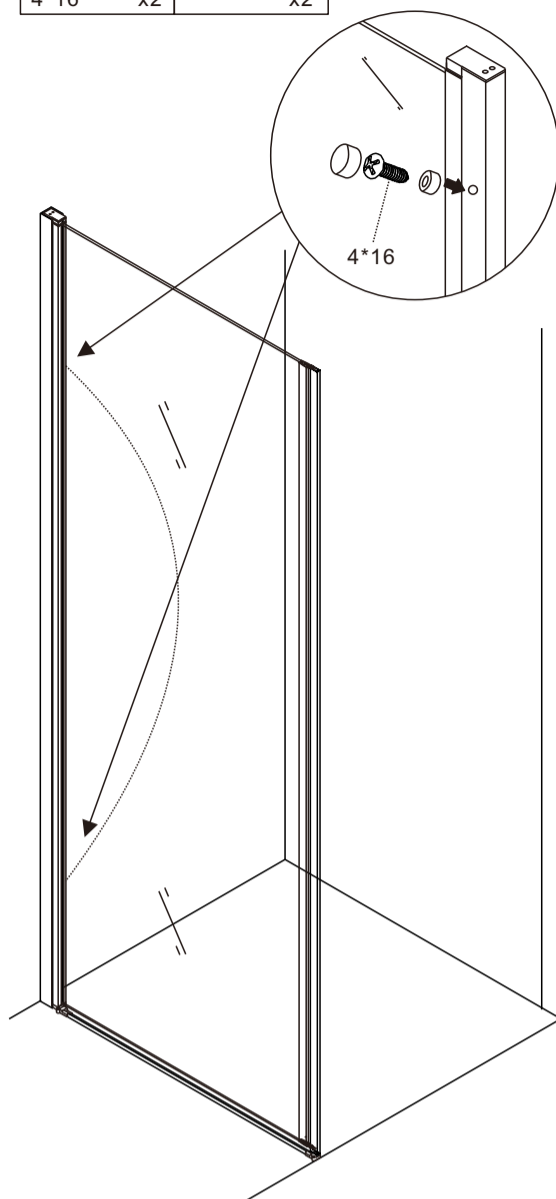
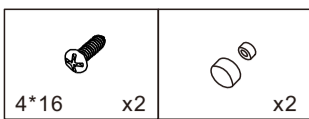
4

5

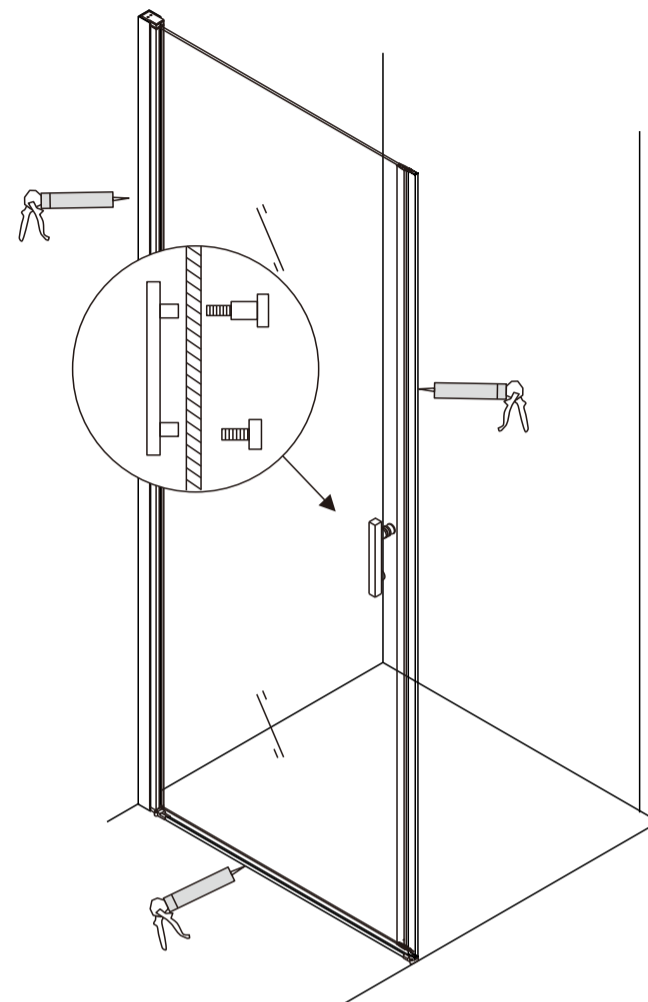
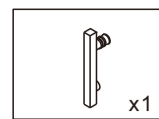
6



7



8



9

10

11

12