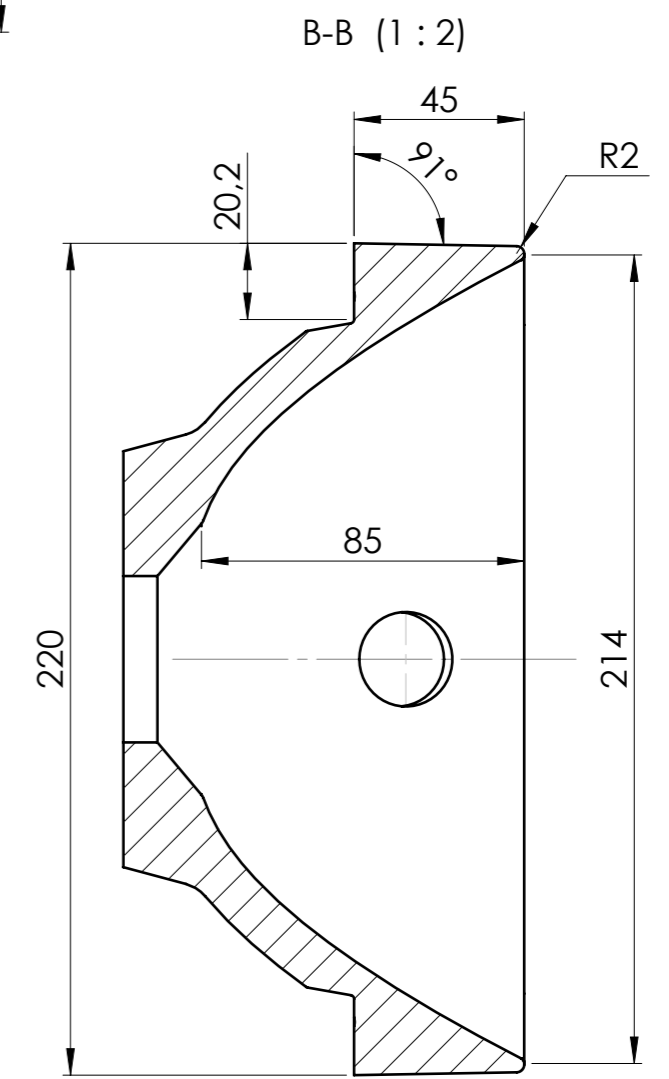
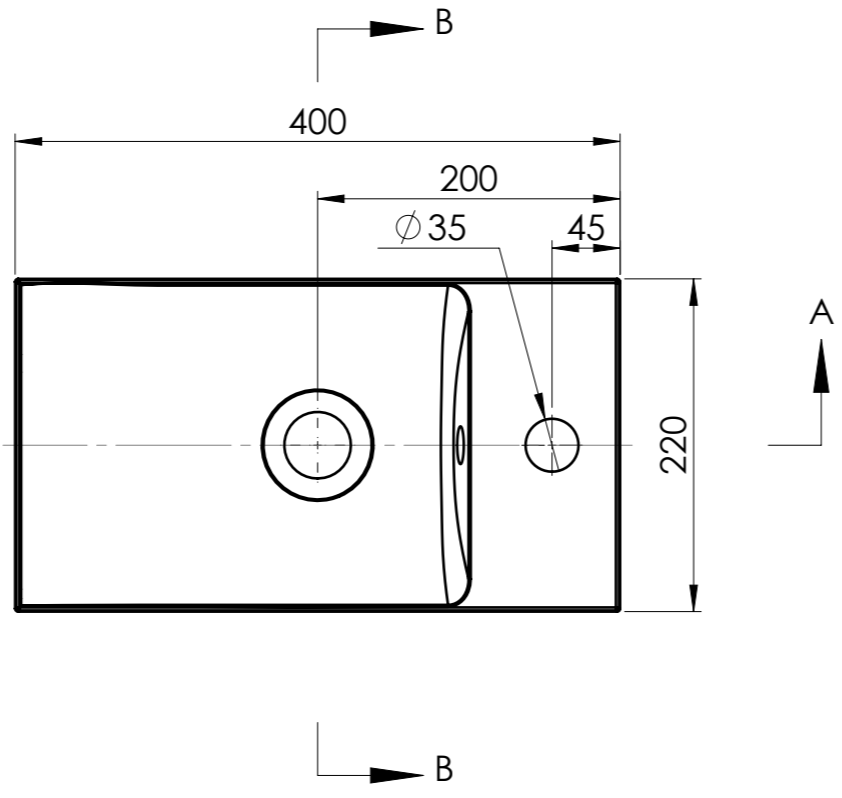
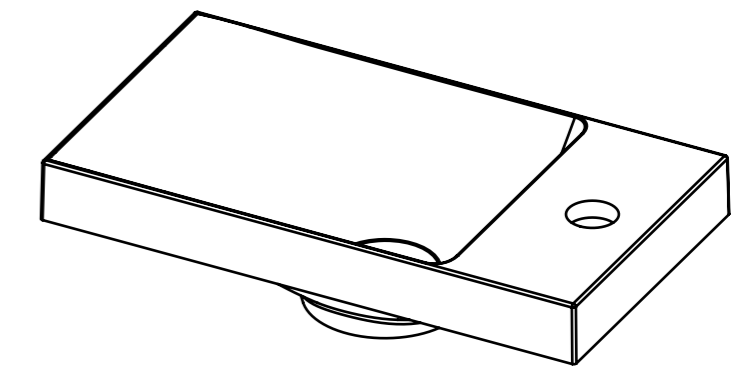
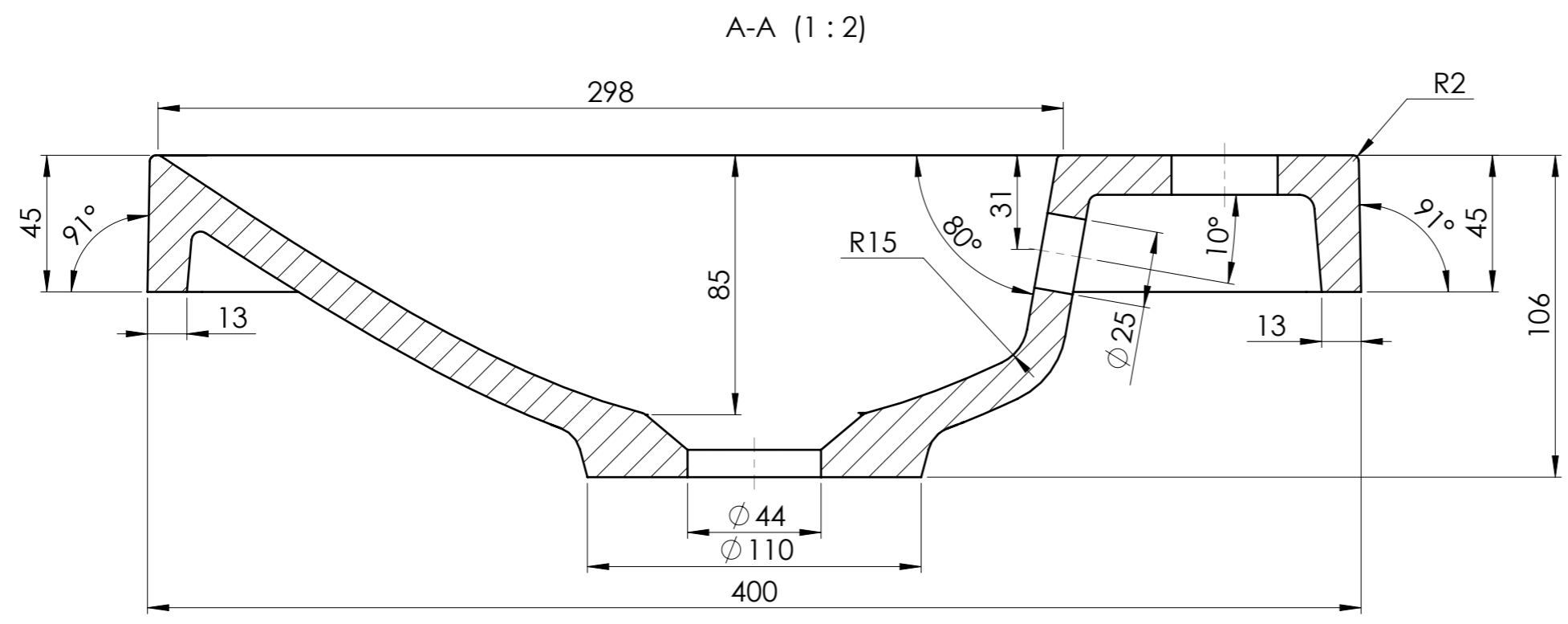


Nr	Ändring	Datum	Godk av
1.0	First issue	30-08-2011	KN
1.1	Introduction Adam's changes	31-08-2011	KN
1.2	Overflow added, height changed from 50 to 45mm	06-09-2011	KN
1.3	Taphole moved	13-09-2011	KN



Tolerance length	+3/-0 mm	Konstruerad Av	AdamJ	Ritad Av	AdamJ	Skapad Datum	2011-08-30	Godkänd Av	KrzysztofN	Tolerans Length (mm)	+3/-0	Skala	1:5	
Tolerance length granite	+1.5/-1.5 mm	Projekt ID	2011	Kund	MARMITE STD	Titel / Benämning		PENELOPE 400R/L						
Tolerance Taphole Location	+3/-3 mm	Agare				MM Art.nr	6121570401xx							
Tolerance overflowhole Location	+3/-3 mm			Dimensions	400 x 220 / 45									
Tolerance plane bending	+1.5/-1.5 mm			Client ID	PENELOPE 400R/L		Rev	1.3	Volume dm ³	1,910				

This document must not be copied without our written permission, and the contents thereof must not be imparted to a third party nor be used for any unauthorized purpose. Contravention will be prosecuted.