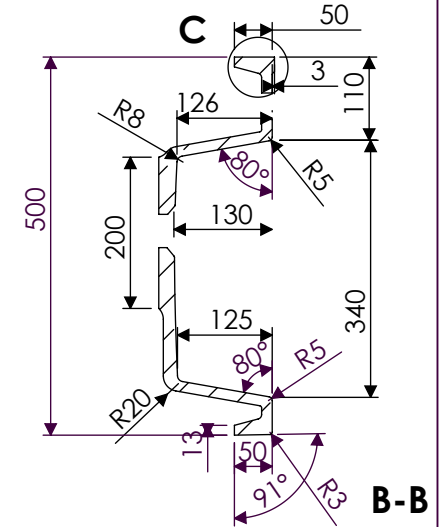
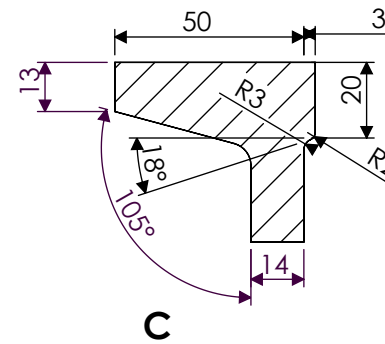
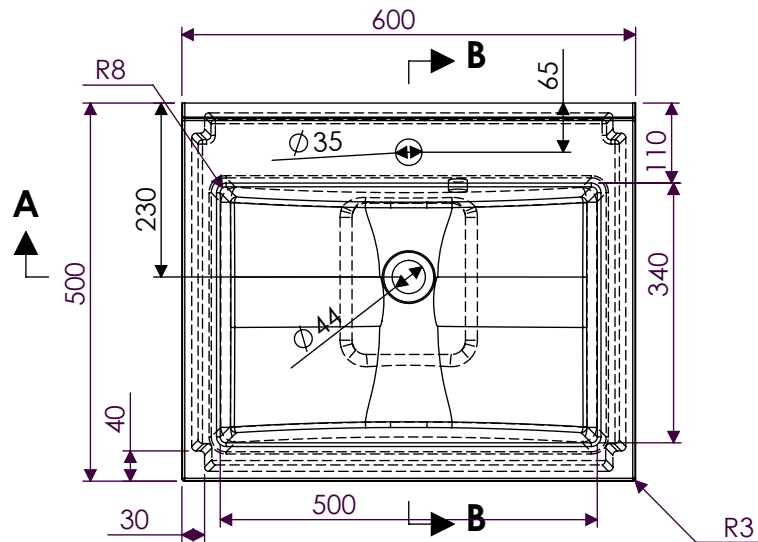
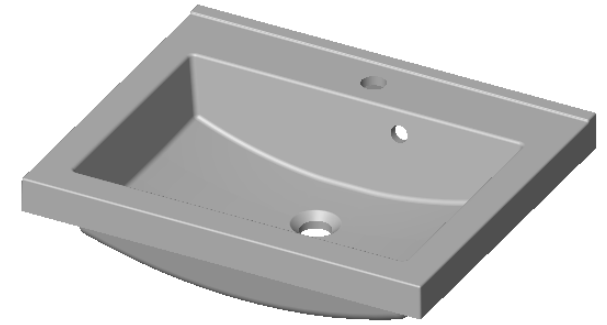
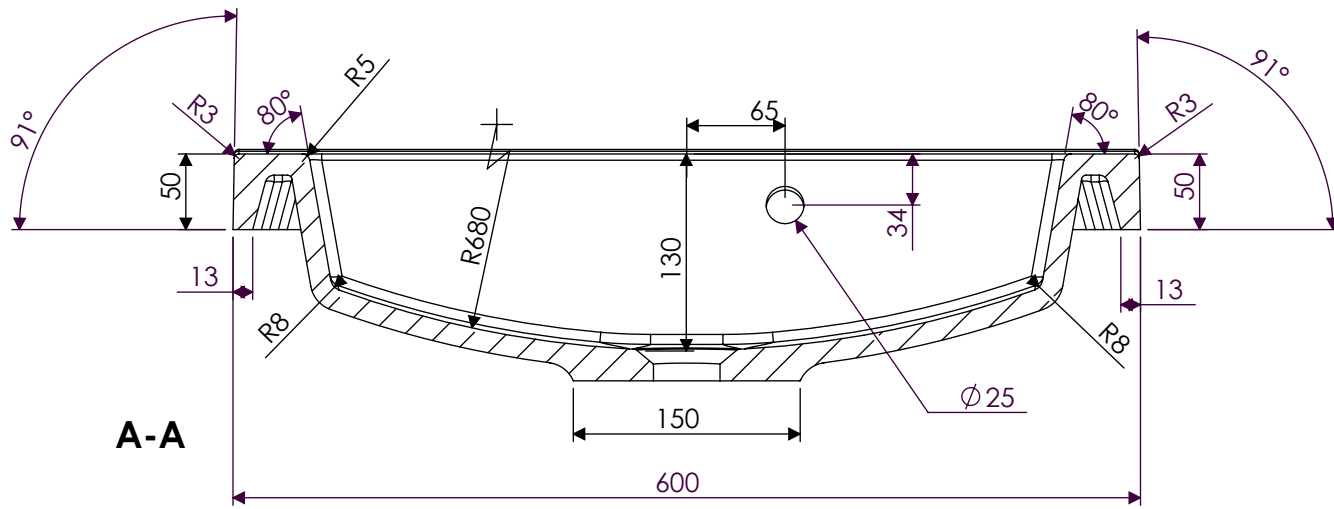



PROPRIETARY AND CONFIDENTIAL
 THE INFORMATION CONTAINED IN THIS DRAWING IS THE SOLE PROPERTY OF MUSCLE MACHINE AB.
 ANY REPRODUCTION IN PART OR AS A WHOLE WITHOUT THE WRITTEN PERMISSION OF MUSCLE MACHINE AB IS PROHIBITED.



Tolerance length	+3/-0 mm
Tolerance length granite	+1,5/-1,5 mm
Tolerance taphole location	+3/-3 mm
Tolerance overflowhole location	+3/-3 mm
Tolerance plane bending	+1,5/-1,5 mm

Ritad	DR	Konstr	DR	Skala	1:20	070425	MARMITE
							JOSEFINE 600C
							1030061xx

Filnamn	1030061
Ersätter	
Revision	Revdat
Ritning	1:4