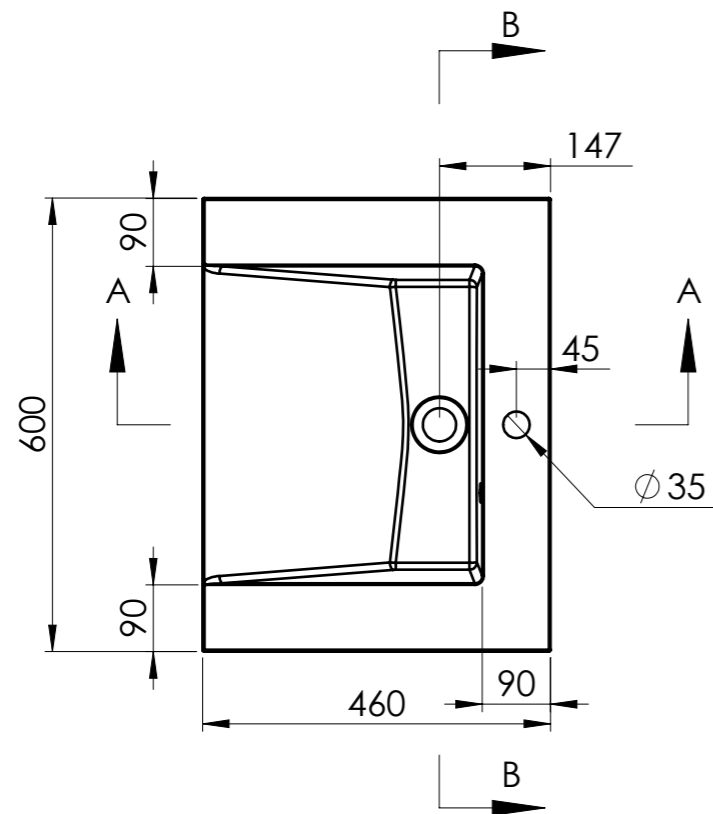
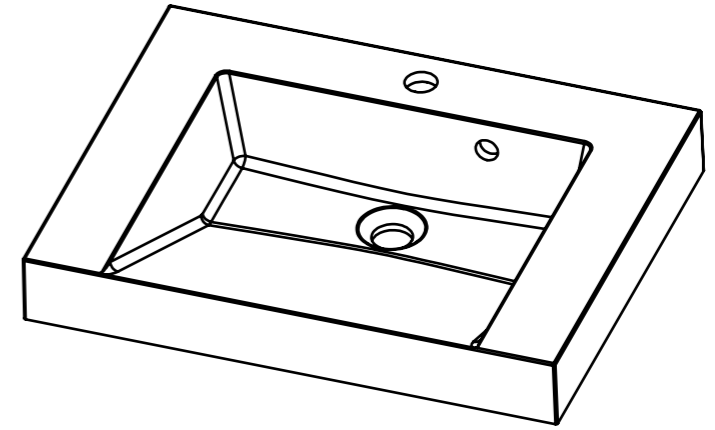
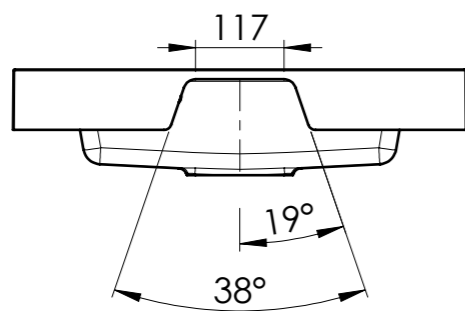
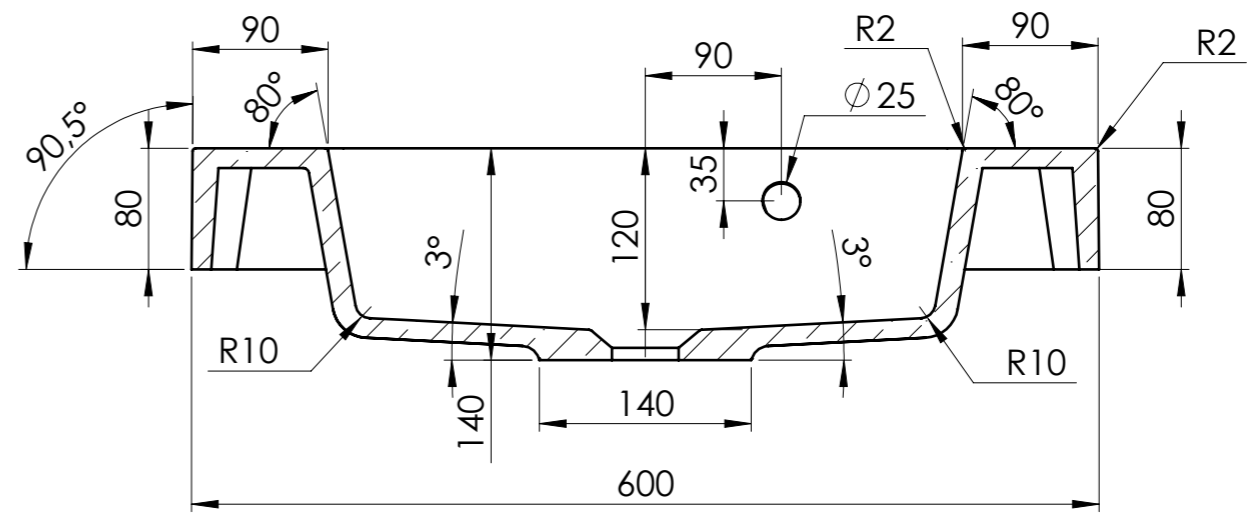


A-A (1 : 5)



B-B (1 : 5)



Tolerance length	+3/-0 mm	Drawn by	Created Date	Checked by	Art. Name:			
Tolerance length granite	+1.5/-1.5 mm	Project status	Client	Art. No: 6121970611xx				
Tolerance Taphole Location	+3/-3 mm				Customer ID: MAXI			
Tolerance overflowhole Location	+3/-3 mm	Material volume[mm ³]	Overflow	Taphole	Main dimensions L x W / H [mm]		Drain	
Tolerance plane bending	+1.5/-1.5 mm	Surface area[mm ²]	Yes	1	600 x 460 / 80			
		Sheet Size	Scale	1:10		Current revision		

