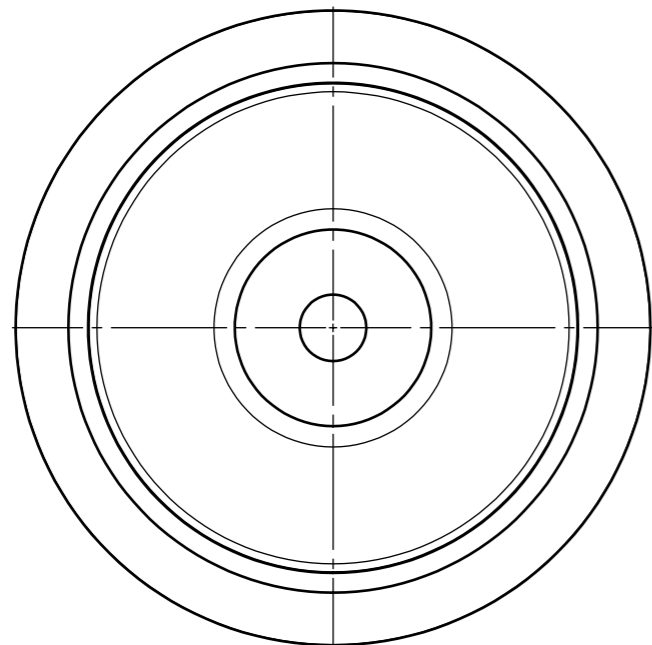


Bottom view



Tolerance total	length	+3/0 mm	Drawn by	Created Date	Checked by	Art. Name:				
	width	+2/0 mm	Project status		Client					
Tol. hight side walls	≤25 mm	+1/-1 mm	Material volume[mm³]			Overflow	Taphole	Main dimensions L x W / H [mm]		Drain
	>25 mm	+2/-2 mm				5200244	No	0	420 x 420 / 122	
Tolerance holes location	+2/-2 mm		Surface area[mm²]			Sheet Size	Scale			Current revision
Tolerance plane bending	+1,5/-1,5 mm					472600	A3			1:5