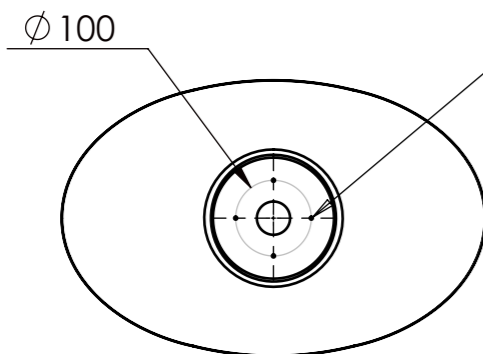


Bottom view



4x (hole ϕ 4x1,5mm; screw 4,8x25mm; steel washer)

Tolerance length	+3/-0 mm	Drawn by	Created Date	Checked by	Art. Name:				
Tolerance length granite	+1.5/-1.5 mm	Project status	Client						
Tolerance Taphole Location	+3/-3 mm				Material volume[mm ³]	Overflow	Taphole	Main dimensions L x W / H [mm]	Drain
Tolerance overflowhole Location	+3/-3 mm				2768738	No	0	561 x 365 / 151	Regular
Tolerance plane bending	+1.5/-1.5 mm				Surface area[mm ²]	Sheet Size	Scale	Current revision	
					409379	A3	1:5		