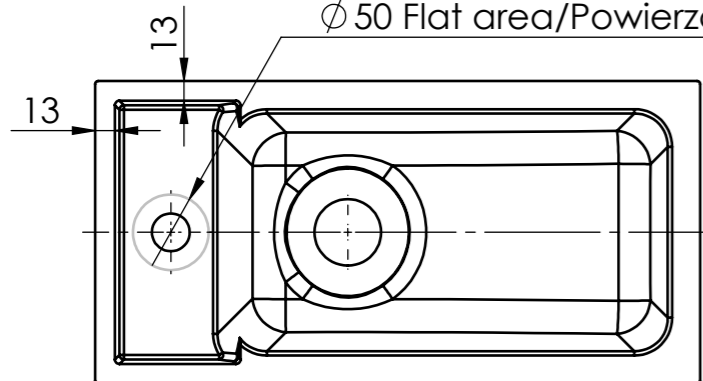


Bottom view/
Widok od dołu

Note 1

$\phi 50$ Flat area/Powierzchnia płaska



Tolerance total	length	+3/0 mm	Drawn by	Created Date	Checked by	Art. Name:
	width	+2/0 mm	Project status	Client		
	height	+2/-2 mm				
Tol. height side walls	≤ 25 mm	+1/-1 mm	Material volume [mm ³]	Overflow	Tap hole	Main dimensions L x W / H [mm]
	> 25 mm	+2/-2 mm		No	1	
Tolerance holes location		+2/-2 mm	Surface area [mm ²]	Sheet Size	Scale	Current revision
Tolerance plane bending		+1,5/-1,5 mm		A3	1:5	

