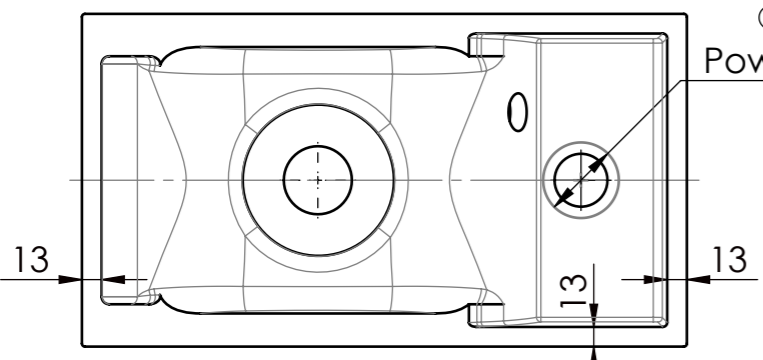


Bottom view/
Widok od dołu

Ø 50 Flat area/
Powierzchnia płaska



Tolerance length	+3/-0 mm	Drawn by	Created Date	Checked by
Tolerance length granite	+1.5/-1.5 mm	Project status	Client	
Tolerance Taphole Location	+3/-3 mm			
Tolerance overflowhole Location	+3/-3 mm			
Tolerance plane bending	+1.5/-1.5 mm			

Art. Name:	
Art. No:	6000570401xx
Customer ID:	STD
Material volume(mm³)	Overflow
Surface area(mm²)	Sheet Size
	Scale

Material volume(mm³)	Overflow	Taphole	Main dimensions L x W / H (mm)	Drain
	Yes	1	400 x 220 / 120	Regular
Surface area(mm²)	Sheet Size	Scale	Current revision	
A3		1:2	001	